

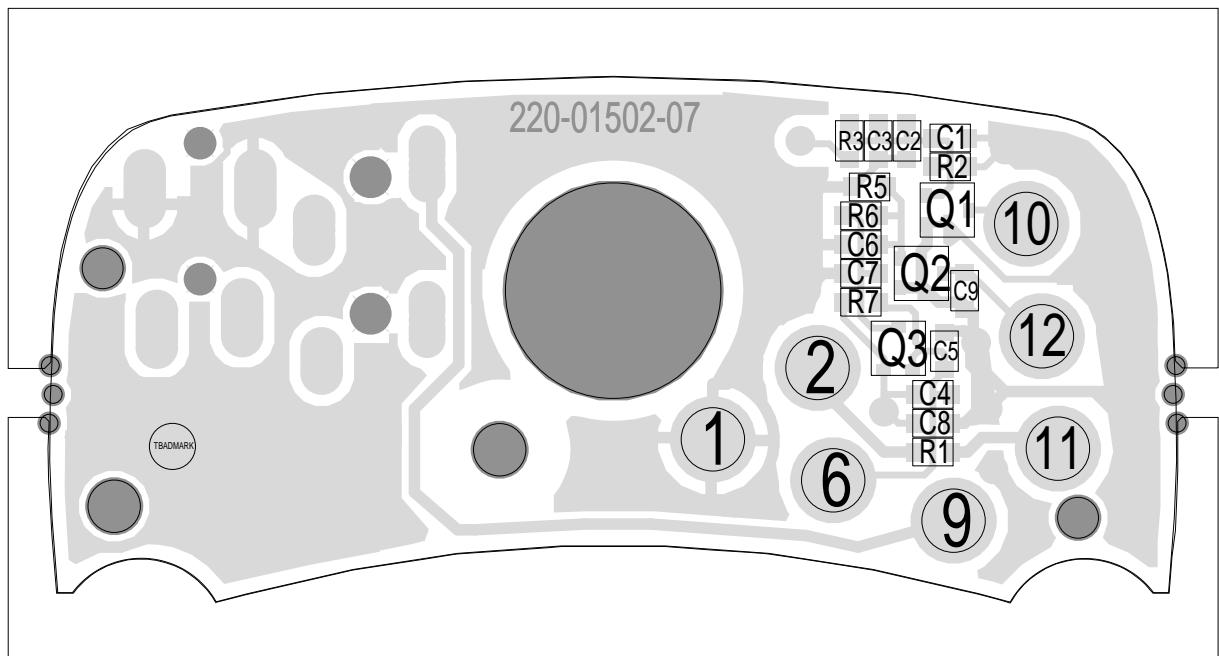
07A	ECO 501464	CJK				12-02-02
6A	ECN#50-0273. SWOP JACK SOCKETS (PINS TO SMT )	TONY-S				14-06-99
5A	ECN#50-0228. ADDED 1N0 CAP, C9	TONY-S				15/04/99
4A	ADDED 4 CAPACITORS	ADAM-D				19/03/98
3A	MADE BREAKOUTS MORE EFFECTIVE	ADAM-D				24/11/97
2A	CHANGED SOCKETS ROUND	ADAM-D				11-09-97
A		SD				20-08-97
REV/ISS	AMENDMENTS	DRAWN	CHKD	D.O.	APVD	DATE



© **TAIT ELECTRONICS**  
**ORCA AUXILIARY CONNECTOR PCB**  
**MOTOROLA**

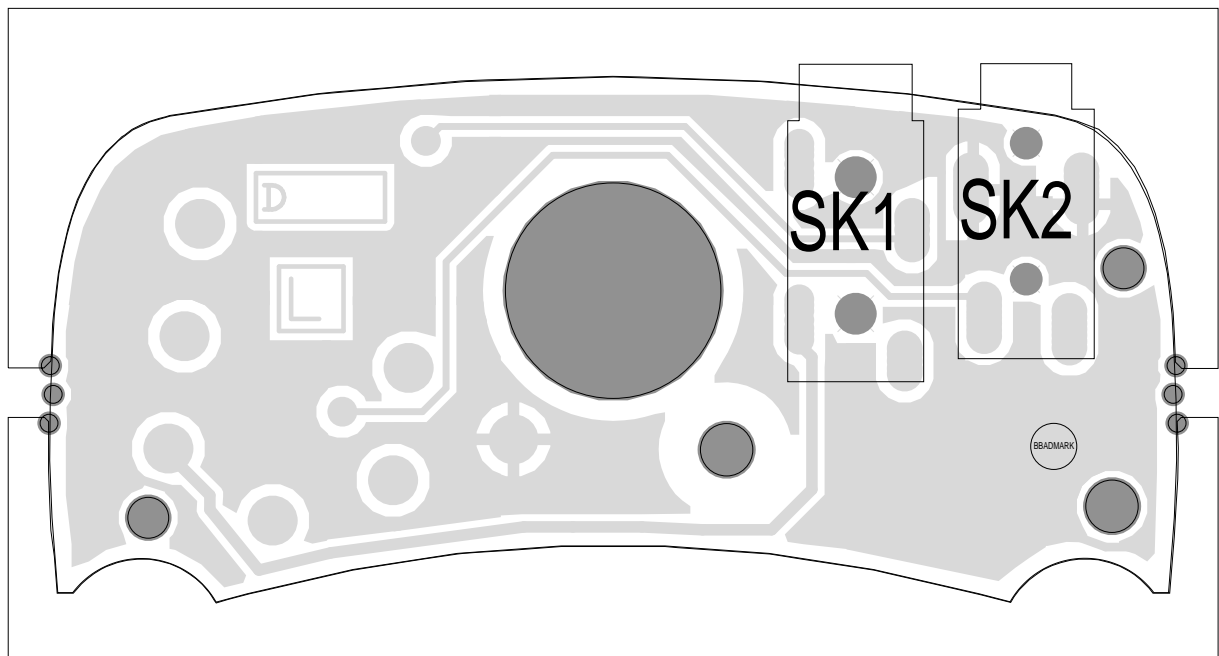
IPN: 220-01502-07    ISSUE: 07A    ID: 2.SC. 1

PROJECT: ORCA    DESIGNER: CJK    FILE NAME: 150207a    FILE DATE: 12-Feb-02    NO.SHEETS: 1



TAIT ELECTRONICS	IPN:	ISS:	ID:	DATE:
	220-01502-07	A	1.TA	12 Feb 2002
ACC-ADPT-7.5 PCB LAYOUT - TOP SIDE				

Scale:3:1 ; Rotation: 0 degrees



<b>TAIT ELECTRONICS</b>	IPN:	ISS:	ID:	DATE:
	220-01502-07	A	2.BA	12 Feb 2002
<b>ACC-ADPT-7.5 PCB LAYOUT - BOTTOM SIDE</b>				

Scale:3:1 ; Rotation: 0 degrees